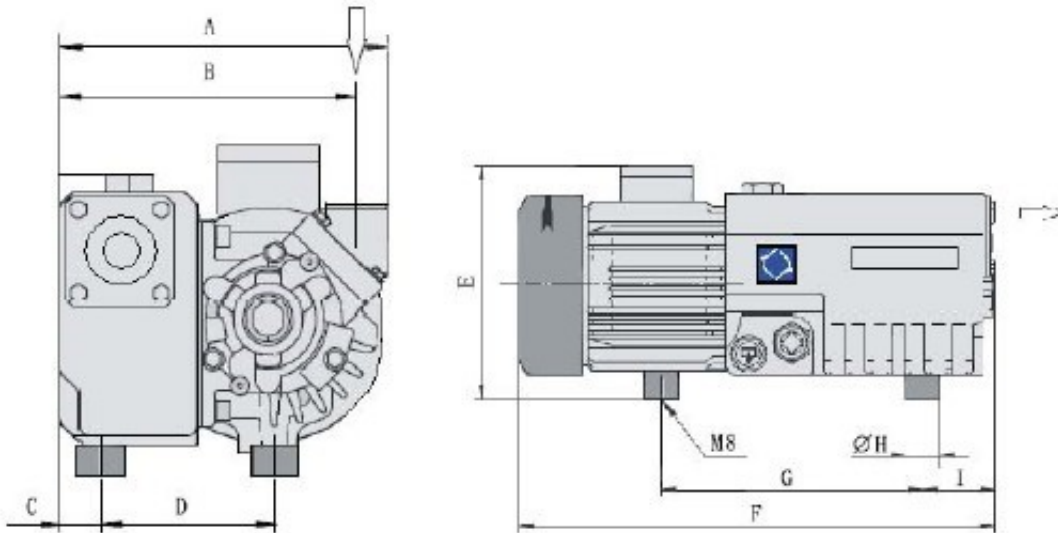


X-25 Single Stage Rotary Vane Vacuum Pump



Item	Unit	X-25
Rated Speed	m ³ /h	25
Utmost Pressure	mbar	0.1-0.5
Noice	dB (A)	62
Work temperature	°C	82
Oil consumption	L	0.5
Vapor permitted pressure	mbar	40
Suction rate of vapour	kg/h	0.4
Whorl of inlet	inch	Rp3/4"
Motor rated power	kW	0.9
Motor rated rotating speed	rpm	2880
Total weight	kg	19

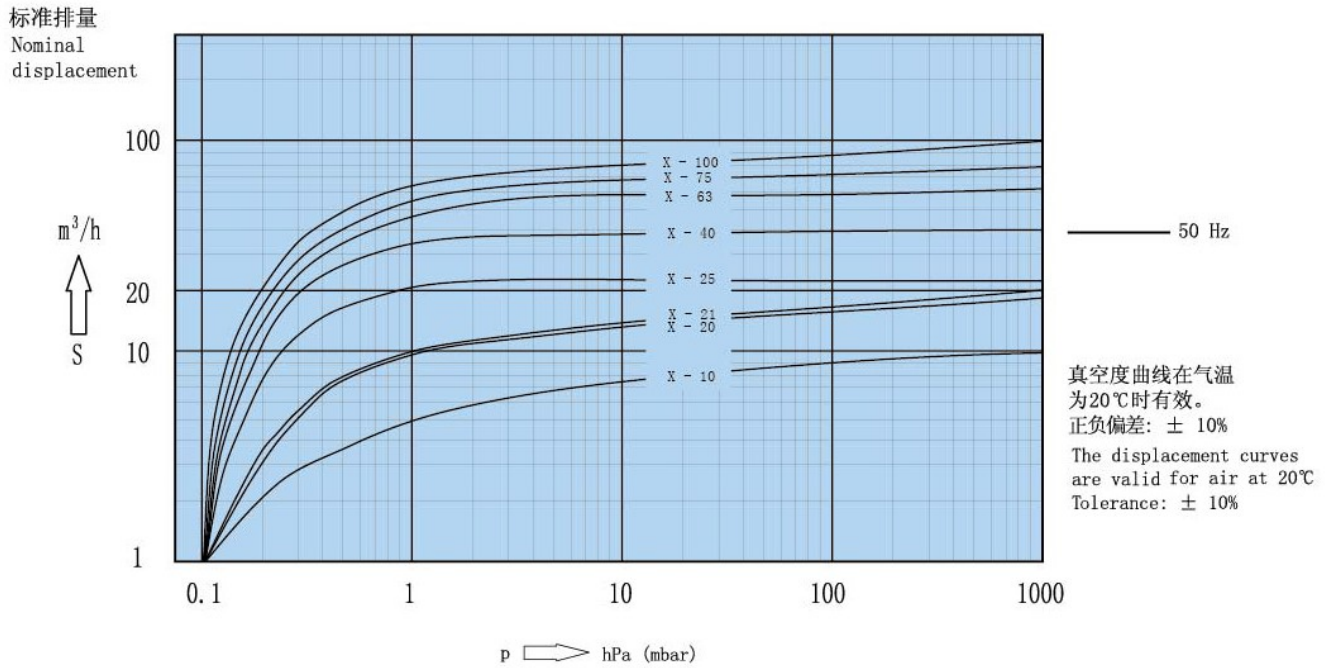


Dimension	A	B	C	D	E	F	G	H	I
X-25	232	213	26	130	220	480	235	30	117
Three Phases									
X-25	232	213	26	130	220	473	224	30	117

Single Phase

--	--	--	--	--	--	--	--	--	--

Vacuum Curve



Product

link : <https://www.joysun-machinery.com/x-25-single-stage-rotary-vane-vacuum-pump.html>