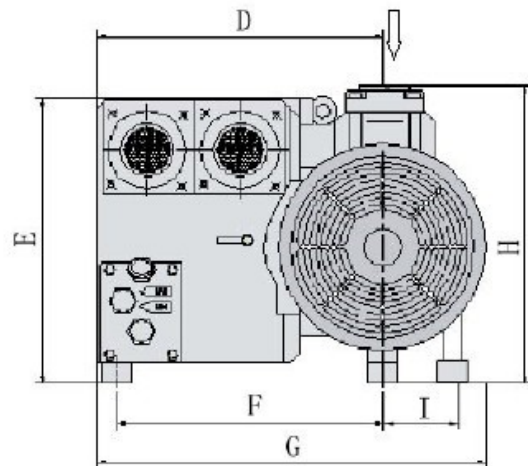
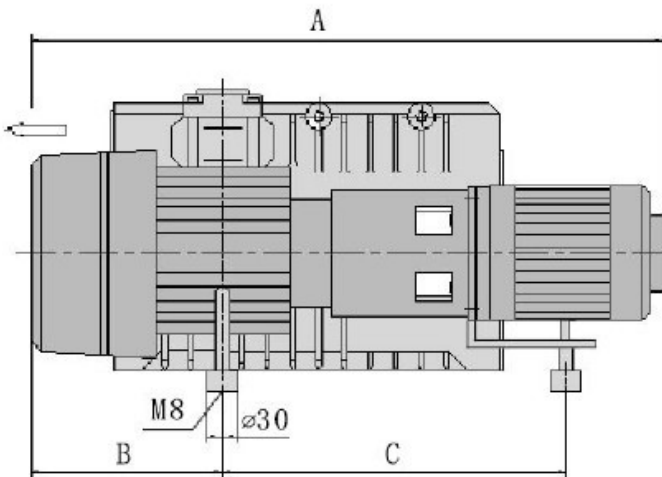


X-40 Single Stage Rotary Vane Vacuum Pump



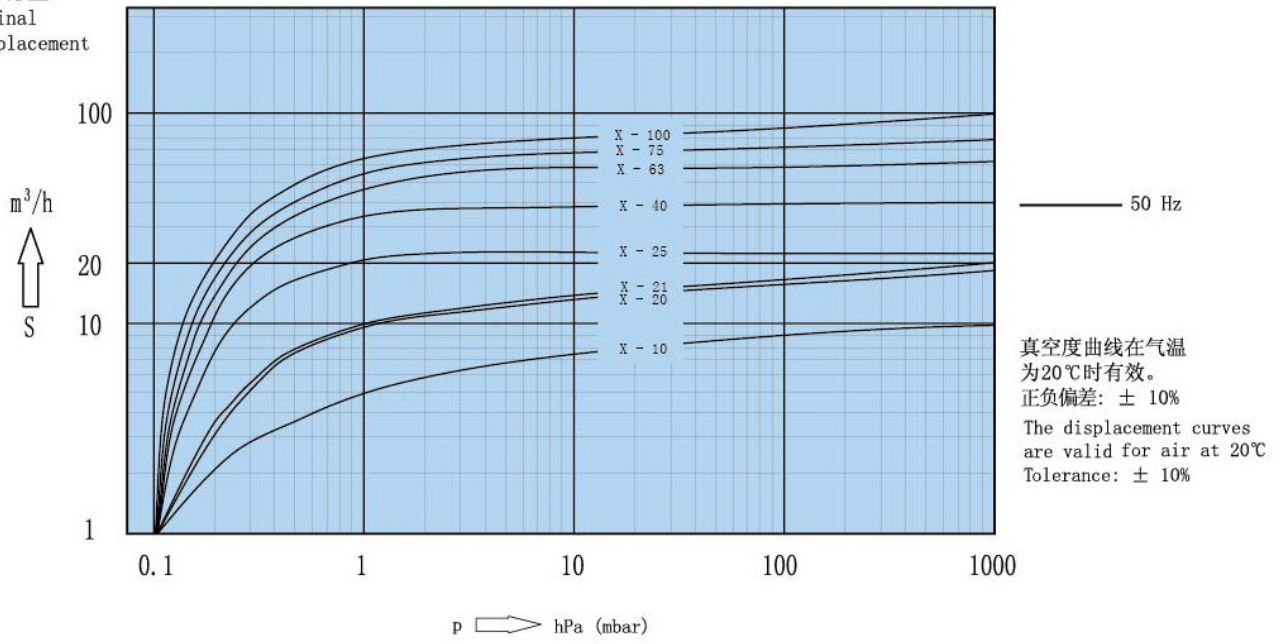
Item	Unit	X-40
Rated Speed	m ³ /h	40
Utmost Pressure	mbar	0.1-0.5
Noice	dB (A)	64
Work temperature	°C	83
Oil consumption	L	1.5
Vapor permitted pressure	mbar	40
Suction rate of vapour	kg/h	0.6
Whorl of inlet	inch	Rp1 1/4"
Whorl of outlet	inch	Rp1 1/4"
Motor rated power	kW	1.1
Motor rated rotating speed	rpm	1440
Total weight	kg	48
Vacuum pump size	cm	65*30*28



Dimension	A	B	C	D	E	F	G	H	I
X-40	650	150	290	195	270	185	300	280	55

Vacuum Curve

标准排量
Nominal
displacement



Product

link : <https://www.joysun-machinery.com/x-40-single-stage-rotary-vane-vacuum-pump.html>