

规格 Specifications

直流 3 线式 DC 3-wire type

型号名 Model	CJY12S-04NAT CJY12S-04NBT CJY12S-04NCT CJY12S-04PAT CJY12S-04PBT CJY12S-04PCT	CJY12S-07NAT CJY12S-07NBT CJY12S-07NCT CJY12S-07PAT CJY12S-07PBT CJY12S-07PCT	CJY18S-10NAT CJY18S-10NBT CJY18S-10NCT CJY18S-10PAT CJY18S-10PBT CJY18S-10PCT	CJY18S-15NAT CJY18S-15NBT CJY18S-15NCT CJY18S-15PAT CJY18S-15PBT CJY18S-15PCT	CJY30S-17NAT CJY30S-17NBT CJY30S-17NCT CJY30S-17PAT CJY30S-17PBT CJY30S-17PCT	CJY30S-25NAT CJY30S-25NBT CJY30S-25NCT CJY30S-25PAT CJY30S-25PBT CJY30S-25PCT
检测距离 Sensing distance	4mm	7mm	10mm	15mm	17mm	25mm
应差距离 Hysteresis	检测距离的 10% 以下 Max. 10% of sensing distance					
标准检测物 Standard sensing target	12 × 12 × 1mm (铁 Iron)	25 × 25 × 1mm (铁 Iron)	20 × 20 × 1mm (铁 Iron)	40 × 40 × 1mm (铁 Iron)	45 × 45 × 1mm (铁 Iron)	75 × 75 × 1mm (铁 Iron)
设定距离 Setting distance	0~2.8mm	0~5.6mm	0~4.9mm	0~9.8mm	0~10.5mm	0~17.5mm
电源 (使用电压范围) Power supply (Operating voltage)	12-24VDC (10-30VDC)					
漏电流 Leakage current	10mA 以下 Max.10mA					
应答频率 (※1) Response frequency (※1)	400Hz	300Hz	300Hz	200Hz	100Hz	100Hz
残留电压 Residual voltage	1V 以下 Max. 1V					
温度的影响 Affection by Temp.	在 -25~+70℃ 温度范围内 +20℃ 时的检测距离的 ± 10% 以内 Max. ± 10% for sensing distance at ambient temperature 20℃					
控制输出 Control output	200mA 以下 Max. 200mA					
绝缘阻抗 Insulation resistance	50MΩ 以上 (500VDC 为基准) Min. 50MΩ (at 500VDC megger)					
耐电压 Dielectric strength	1500VAC 50/60Hz1 分钟 1500VAC 50/60Hz for 1minute					
耐振动 Vibration	10~55Hz(周期 1 分钟) 振幅 1mm X, Y, Z 各方向 2 小时 1mm amplitude at frequency of 10 to 55Hz(for 1 min.) in each of X, Y, Z directions for 2 hours					
耐冲击 Shock	500m/s <sup>2</sup> (50G) X, Y, Z 各方向 3 次 500m/s <sup>2</sup> (approx. 50G) X, Y, Z directions for 3 times					
显示灯 Indicator	动作指示灯 (红色 LED) Operation indicator(red LED)					
使用周围温度 Ambient temperature	-25~+70℃ (未结冰状态 No icing)					
储存温度 Storage temperature	-30~+80℃ (未结冰状态 No icing)					
使用周围湿度 Ambient humidity	35~95%RH (未结露状态 No condensation)					
保护电路 Protection circuit	内置浪涌保护, 电源反接保护, 过流保护电路 Surge protection circuit, Reverse polarity protection circuit, Overcurrent protection circuit					
材质 Material	外壳 / 螺母: 镀镍黄铜, 垫片: 镍镀铁, 检测面: PBT Case/Nut: Nickel plated Brass, Washer: Nickel plated Iron, Sensing surface: PBT					
防护等级 Protection	IP65					

(※1) 开关动作的应答频率为平均值。测定条件使用标准检测物, 检测物的间距为标准检测物的 2 倍, 设定距离为检测距离的 1/2。  
(※1) The response frequency is the average value. The standard sensing target is used and the width is set as 2 times of the standard sensing target, 1/2 of the sensing distance for the distance.

外观和尺寸 Appearance and Dimension

CJY12S-04T

CJY12S-07T

CJY18S-10T

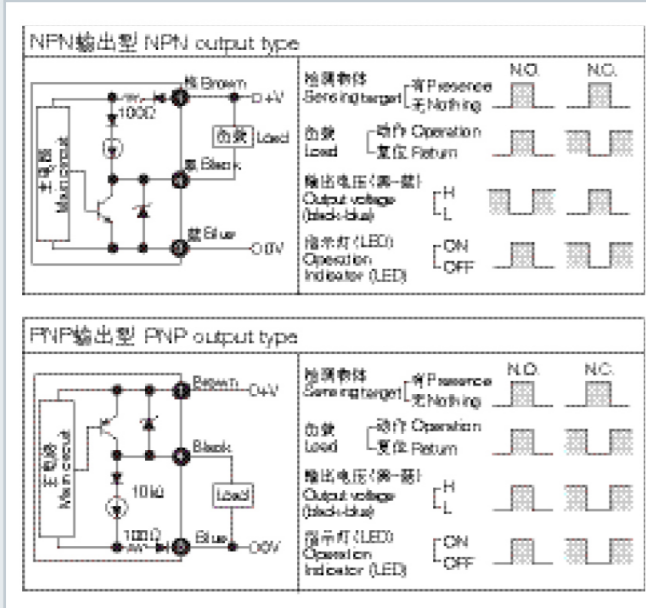
CJY18S-15T

CJY30S-17T

CJY30S-25T

输出电路 Control Output Diagram

直流 3 线式 DC 3-wire type

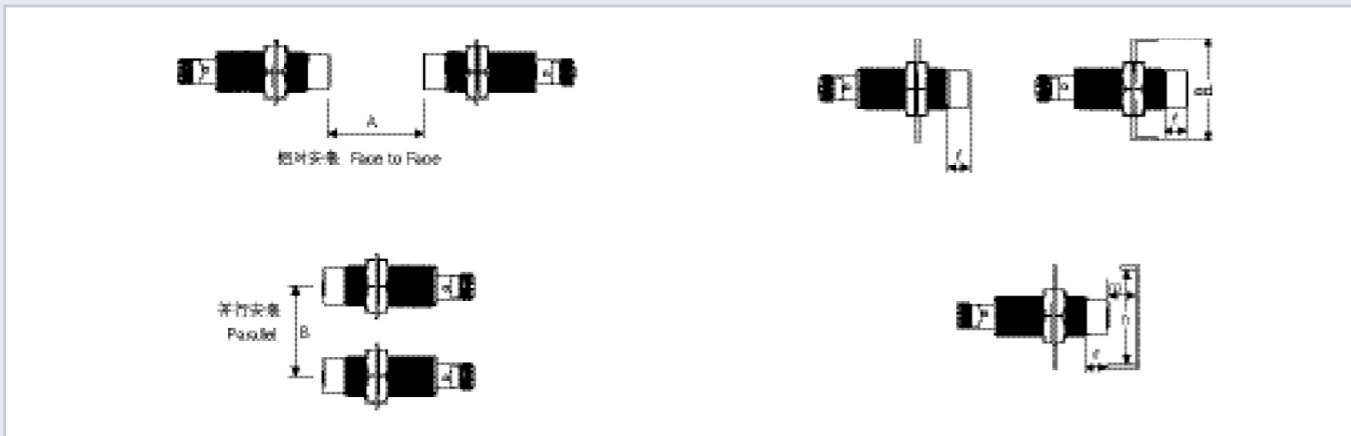


※ 圈里面的数字是表示插头 (pin) 的编号  
※ The number in a circle is pin no. of connector.

正确使用 Proper Usage

相互干扰 Mutual-interference

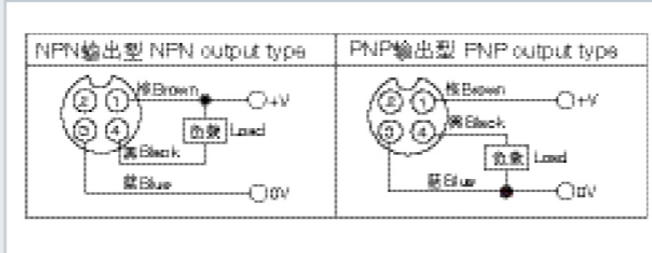
当把两个以上的接近开关一起安装使用时，可能会发生相互干扰引起的误动作，在安装时请务必满足下表中规定的尺寸要求进行安装。  
When several proximity sensors are mounted close to one another a malfunction of the sensor may be caused due to mutual interference. Therefore, be sure to provide a minimum distance between the two sensors as below chart indicates.



型号名 Model	CJY12S-04T	CJY12S-07T	CJY18S-10T	CJY18S-15T	CJY30S-17T	CJY30S-25T
项目 Item						
A	24	48	42	84	90	150
B	24	36	36	54	60	90
ℓ	0	11	0	14	0	15
φ d	12	36	18	54	30	90
m	12	24	21	42	45	75
n	18	36	27	54	45	90

连接器接线图 Wiring Diagram

直流 3 线式 (标准型) DC 3-wire type (Standard type)



※ 结合插头时，请使用 (0.39~0.49N·m 拧紧螺丝)。  
※ 在发生震动的地方请用胶带缠住连接线缆后使用。  
※ Please fasten the cleat of connector not to shown the thread. (0.39 to 0.49N.m)  
※ Please fasten the vibration part with Teflon tape.

周围金属的影响 Influence by surrounding metals

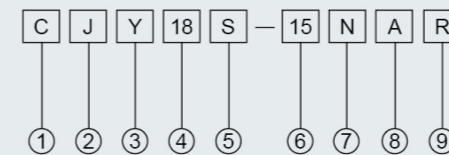
当接近传感器周围有金属存在时，为防止复位不正常等误差发生，安装时请满足下表中规定的尺寸要求进行安装。  
When sensors are mounted on metallic panel, you must prevent the sensors from being affected by any metallic object except target. Therefore, be sure to provide a minimum distance as below chart indicates.

特点 Features

- 可以实现远距离检测 (额定检测距离比原有产品提高 1.5~2 倍)
- 采用专用 IC 提高抗干扰能力
- 内置浪涌保护，电源反接保护和过流保护电路
- 寿命长，高可靠性，操作简单，经济实惠
- 红色 LED 状态指示灯，易于识别运行状态
- IP67 防护等级 (IEC 规格)
- 可以代替微动开关或限位开关广泛使用
- Long sensing distance (1.5 to 2 times longer sensing distance guaranteed compared to existing models)
- Exclusively designed IC for improving anti-jamming capability
- Inside surge protection, reverse polarity protection, overcurrent protection
- Long use-life cycle and high reliability, easy install, economic price
- Red LED status indication, easy to confirm work situation
- Protection structure IP67(IEC standard)
- Replaceable for limit switches



型号说明 Model Number Structure



项目 Item	代号 Code	说明 Description
① 公司代号 Company code	C	公司代号 Company code
② 产品名称 Product name	J	电感式接近开关 Inductive proximity sensor
③ 外壳形状 Shape of shell	Y	圆柱形 Cylinder-shaped
④ 尺寸代码 Dimension code	18	18=M18
⑤ 产品类型 Product type	S	远距离型 Long-range type
⑥ 检测距离 Detection distance	15	15=15mm
⑦ 输出方式 Output mode	K	AC 二线 AC 2wires
	L	DC 二线 DC 2wires
	P	PNP 三线 PNP 3wires
⑧ 输出状态 Output state	N	NPN 三线 NPN 3wires
	A	常开 NO
	B	常闭 NC
⑨ 连接形式 Connection	C	常开 + 常闭 NO+NC
	无 Without	引线式 Without: Lead wire
	T	接插式 Plug-in
	R	配线引出接插式 Wiring leads Plug-in