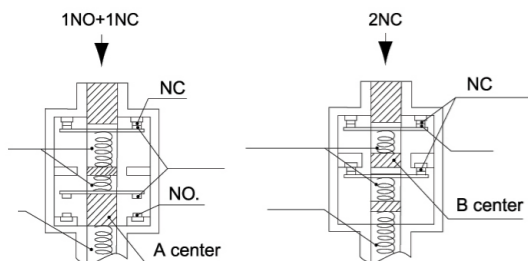


强制断开机构 Forced Disconnecting Mechanism



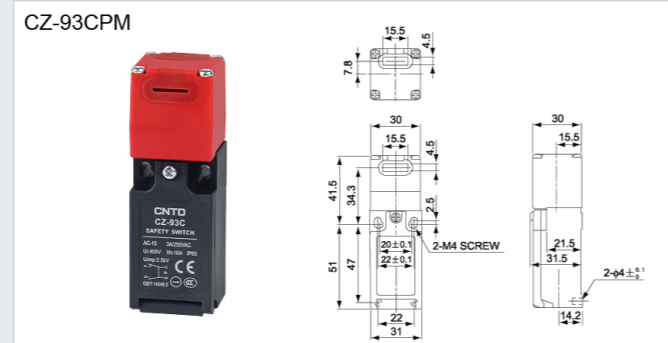
NC 接点的强制脱离机构，作用是当接点发生熔着时，下压钥匙机构中心，可将接点强制推开，使回路切断。(EN60947-5-1 强制脱离认定)。

When the contact block get fire, press on the middle of the key structure, the NC strict leaving structure can push the contact block a way cut off the movement.

动作特性 Operating Characteristics

操作插入力量	Key plug in force	最大	14.7N(1,500gf)
操作抽动力量	key pull out force	最大	29.42N(3,000gf)
动作距离	Pretravel		6 ± 3mm
总行程	Total travel		(28mm)
强制脱离力	Force required to have positive	最小	58.84N(6,000gf)
强制脱离距离	Positive opening travel	最小	10mm

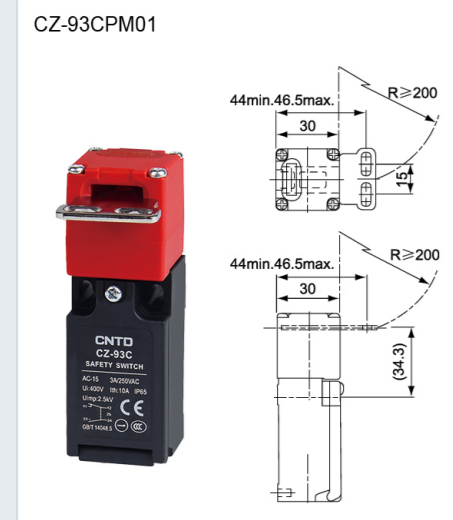
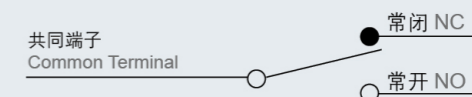
外观和尺寸 Appearance and Dimension



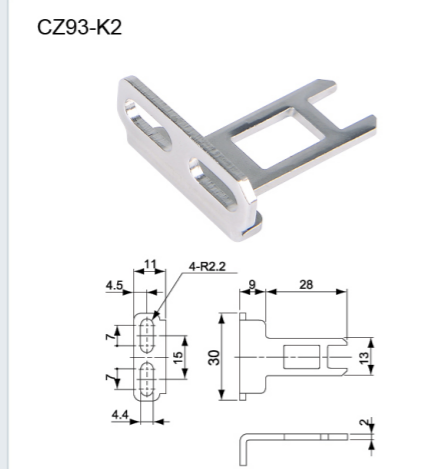
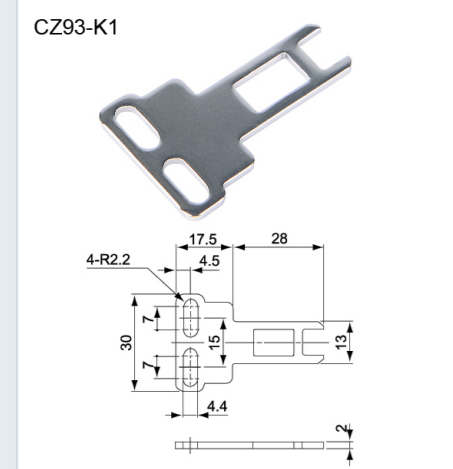
特点 Features

- 具有高机械强度的一体铸造铝合金外壳
- 具耐油，防水和防尘结构
- 引动器种类多，方便使用
- High mechanical strength, mainly consists of aluminum cast
- Water proof, oil proof and dust proof construction
- Various actuators for different applications

接点型式 Contact Form



钥匙种类及尺寸 Key Dimension



额定值 Ratings

额定电压 Rated Voltage	非电感性负载 Noninductive Load (A)				电感性负载 Inductive Load (A)			
	电阻性负载 Resistance Load		灯泡负载 Lamp Load		电感性负载 Inductive Load		马达负载 Motor Load	
	NC	NO	NC	NO	NC	NO	NC	NO
125 VAC	5 (0.1)	1.5	0.7	3	2.5	1.3		
250 VAC	3	1	0.5	2	1.5	0.8		
8 VDC	5 (0.1)	2	2	5	4	3		
14 VDC	5 (0.1)	2	2	4	4	3		
30 VDC	4 (0.1)	2	2	3	3	3		
125 VDC	0.4	0.05	0.4	0.4	0.4	0.05		
250 VDC	0.2	0.03	0.2	0.2	0.2	0.03		

注：带弹簧系列产品，操作体的使用范围为从弹簧的前端到弹簧全长的 1/3 以内。
Note: Product with spring, its usable range of operating part is within one third of the whole spring length from the front end of spring.

规格 Specifications

额定值 Rating	5A 125V, 3A 250VAC
操作速度 Operating speed	1mm~1m/s(摆杆型 Swing rod type) 0.1mm~0.5m/s(柱塞型 Plunger type)
动作频率 Operating frequency	电气: 30 次 / 分 Electrical: 30 operations/min.
接点电阻 Contact resistance	25mΩ 以下 (初始值) 25mΩ max.(initial)
绝缘电阻 Insulation resistance	100mΩ 以上 (在 500VDC 以下) 100mΩ min.(at 500VDC)
电介强度 Dielectric strength	不连续端子间: 1000VAC, 50/60Hz, 持续 1 分钟 1000VAC, 50/60 Hz for 1 minute between terminals of the same polarity 端子与接地之间: 1500VAC, 50/60Hz, 持续 1 分钟 1500VAC, 50/60 Hz for 1 minute between current-carrying and non-current-carrying metal parts 端子与无载电流金属零件之间: 1500VAC, 50/60Hz, 持续 1 分钟 1500VAC, 50/60 Hz for 1 minute between each terminal and ground
振动 Vibration Frequency	10-55Hz, 1.5mm 双振幅 10 to 55Hz, 1.5mm double amplitude
冲击 Shock	机械耐久: 1000mm/s ² 以上 (约 100G 以上) 误动作耐久: 500mm/s ² 以上 (约 50G 以上) Mechanical: Approx. 1000m/s ² (Approx. 100G'S) Electrical: Approx. 500m/s ² (Approx. 50G'S)
使用温度 Ambient temperature	-20~+70 °C (没有结冰) Using: -20~+70 °C (With no icing)
湿度 Humidity	< 95% RH
电气寿命 Electrical life	20 万次以上 200,000 operations/min.
重量 Weight	约 360g(电缆线长 3m) 约 540g(电缆线长 5m) Approx. 360g(cable length 3m) Approx. 540g(cable length 5m)
防水等级 Protection level	IP67

动作特性 Operating Characteristics

型号 Model	CZ-3	CZ-3101	CZ-3102	CZ-3103	CZ-3104 (3107/3108)	CZ-3110	CZ-3111	CZ-3112	CZ-3113	CZ-3169 (3166/3167/3168)
操作力 Operating Force	OF(最大)(Max.)	11.77N	11.77N	11.77N	5.69N	11.77N	17.65N	17.65N	17.65N	1.47N
回弹力 Release Force	RF(最小)(Min.)	4.41N	4.41N	4.41N	1.47N	4.41N	4.41N	4.41N	4.41N	-
预行程 Pre-Travel	PT(最大)(Max.)	1.8mm	1.8mm	1.8mm	25	1.8mm	1.8mm	1.8mm	1.8mm	15°
过行程 Over Travel	OT(最小)(Min.)	3mm	3mm	3mm	40	3mm	3mm	3mm	3mm	-
行程移动 Movement	MD(最大)(Max.)	0.2mm	0.2mm	0.2mm	3	0.2mm	0.2mm	0.2mm	0.2mm	-
分辨率 Differential										
动作位置 Operating Position	OP(mm.)	15.7 ± 1mm	28.5 ± 1mm	28.5 ± 1mm	-	28.5 ± 1mm	24.9 ± 1mm	34.3 ± 1mm	34.3 ± 1mm	-