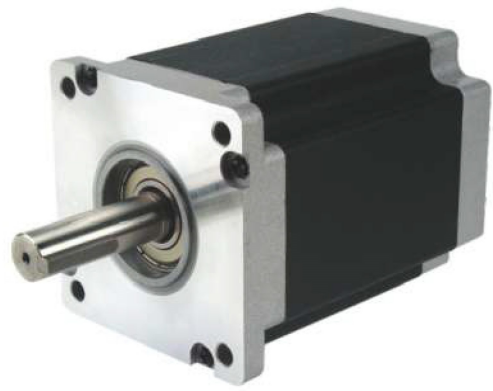


110HSxx Series



General Specifications

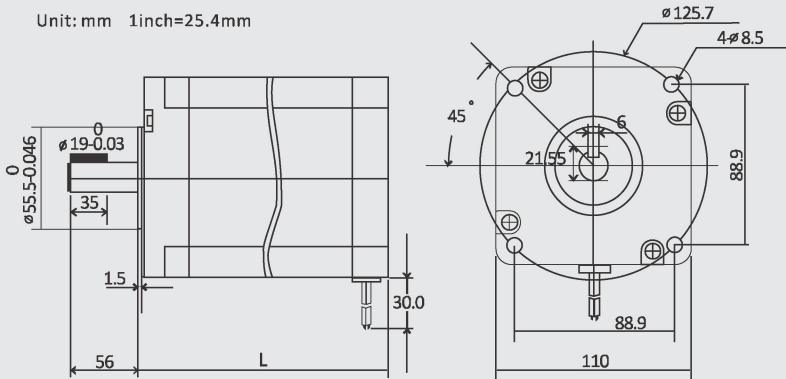
| | |
|-----------------------|--------------------------|
| Angle Accuracy | ± 5%(full step, no load) |
| Temperature Rise | 80 °C Max |
| Ambient Temperature | -10 °C — +50 °C |
| Insulation Resistance | 100M Ω min. 500VDC |
| Dielectric Strength | 500VAC for one minute |
| Shaft Radial Play | 0.06 Max. (450g-load) |
| Shaft Axial Play | 0.08 Max. (450g-load) |

Selection Table

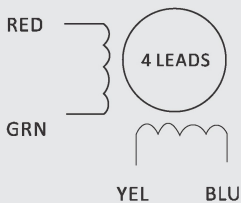
| Phase | NEMA Size | Model | Step Angle (°) | # of Leads | Connection | Current/Phase (A) | Holding Torque (Nm) | Length L (mm) | Weight (kg) | Match Drives |
|-------|-----------|---------|----------------|------------|------------|-------------------|---------------------|---------------|-------------|-----------------|
| 2 | 42 | 110HS12 | 1.8 | 4 | - | 6.0 | 12 | 115 | 6.0 | DM2282 / DM1182 |
| | | 110HS20 | 1.8 | 4 | - | 6.0 | 20 | 150 | 8.4 | DM2282 / DM1182 |
| | | 110HS28 | 1.8 | 4 | - | 6.5 | 28 | 201 | 11.7 | DM2282 / DM1182 |

Mechanical Specifications

Unit: mm 1inch=25.4mm



Wiring Diagram



Match Drives

| Model | Match Drives |
|---------|-----------------|
| 110HS12 | DM2282 / DM1182 |
| 110HS20 | |
| 110HS28 | |